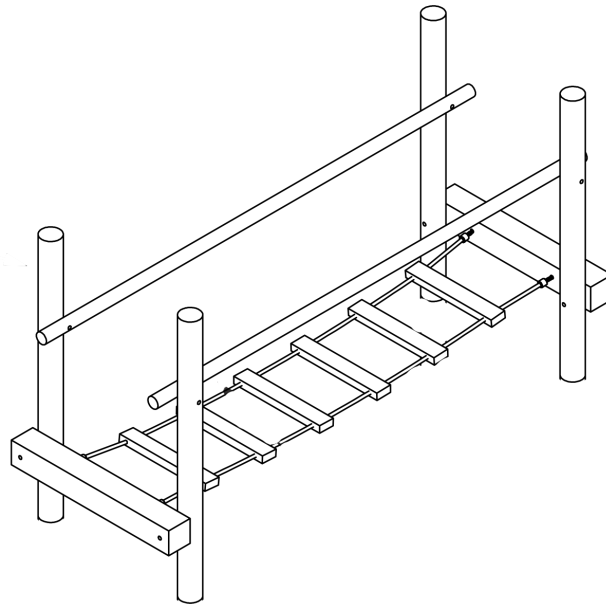


PW-NP09 Wobble Bridge

Manufacturer's Information



Specifications

Total Length: 3100mm

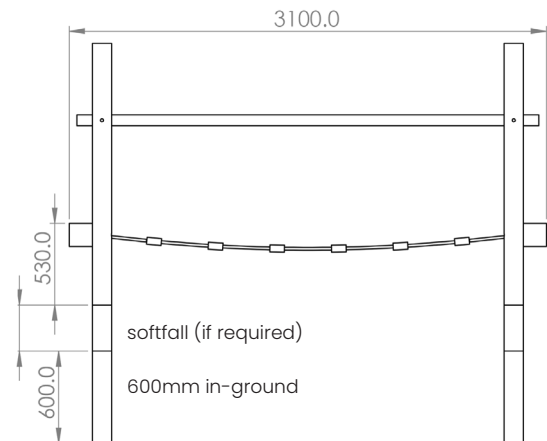
Min. Fall Zone: N/A

Max. Fall Zone: N/A

FHF: 600mm or less

Standards: AS4685 Series

Heaviest Component: 40kg+



Materials

Timber: Red Ironbark (Class 1 Australian Hardwood)

Post diameter: 150 -200mm

Rail diameter: 100-200mm

Finish: Sanded, radiused and oiled with two coats of OrganOil

Rope: 18mm steel reinforced rope

Fixings: Stainless steel